

Receiver

From

Society
Reference
Address
Phone
Fax
E-mail

Item n° :

Model :

2 ESYBOX MAX 60/120 M

Pump data

Pressure rating : 11,84 atm
Constant pressure range : 0,986911,84 atm (2,961atm by default)
Min. fluid temperature : 0 °C
Max. fluid temperature : 50 °C
Max. Ambient temperature : 55 °C

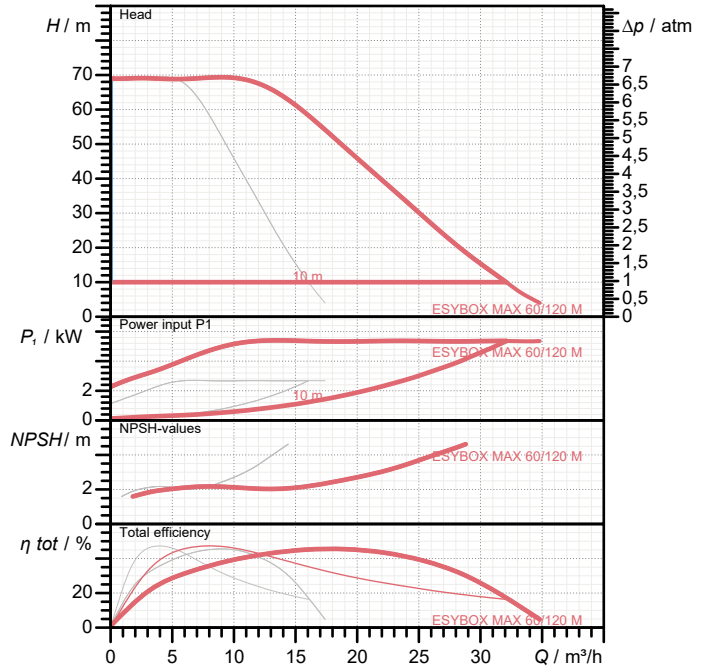
Requested data

Flow :
Head :
Fluid : Water
Fluid Temperature : 20 °C
Density : 998,3 kg/m³
Kinematic viscosity : 1,005 mm²/s
Vapor pressure : 0,02 atm

Materials

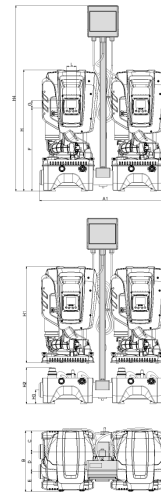
Fitting : Technopolymer PA66 30%GF
Manifold : Stainless Steel AISI 304
Flange : Technopolymer PA66 30%GF
Pump body : Technopolymer PA66 30%GF
Pump body ring : Technopolymer PP 30%GF
Impeller : Technopolymer PP 30%GF/AISI 304
Diffuser : Technopolymer PP 30%GF/AISI 304
Motor axis : Stainless Steel AISI 303
OR ring : EPDM
Motor flange : Technopolymer PA66 30%GF
Mechanical seal : Impregnated carbon-resin/Silicon carbide/EPDM
Motor liner : Stainless Steel AISI 304
Motor body : Technopolymer PA66 30%GF
Conveyor tube : Technopolymer PP 30%GF
Pressure sensor : Nylon/EPDM
Non-return valve : POM/EPDM/AISI 302
Non-return valve body : Technopolymer PA66 30%GF
Tank : Noryl/Rubber
Delivery body : Technopolymer PA66 30%GF
Outer liner : Stainless Steel AISI 304

Curve tolerance according to ISO 9906



Hydraulic data (duty point)

Flow :
Head :



*Without the pillar kit and panel, do not consider the H4

Dimensions in mm

A1	811	E	127,7	H3	87		
B	384	F	526	H4	1.172		
C	131,8	G	45	L	59,5		
D	124,5	H	766				
DNA	2"	H1	613				
DNM	2"	H2	228				

Weight : 76 kg

Pump connection

Suction side : 2" G / 11,84 atm
Discharge side : 2" G / 11,84 atm

Motor data

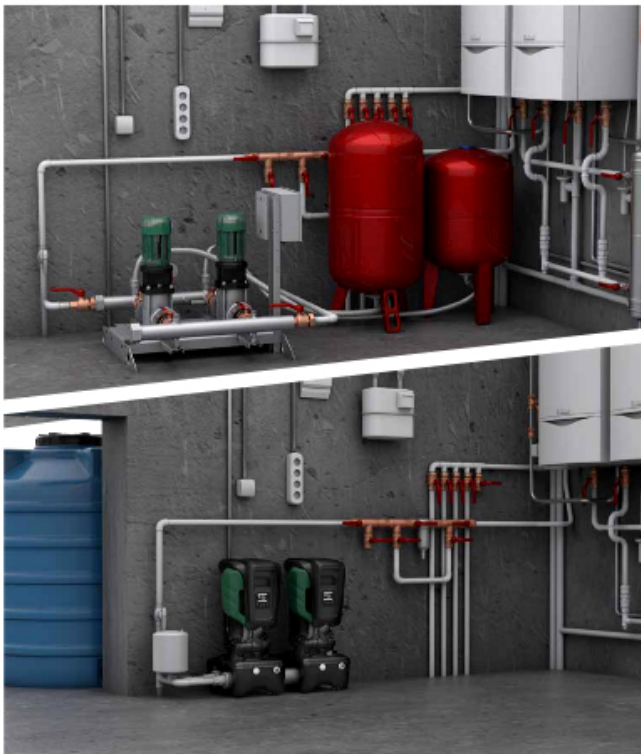
Power input P1 : 2 x 2,68 kW
Maximum speed : 5.240 1/min
Rated voltage : 1~ 208-240 V 50 Hz
Nominal current : 2 x 11,7 A
Degree of protection : IP X5

ENERGY SAVING

BEFORE

AFTER

- 20%
Compared with
traditional inverter pump



D+CONNECT
BUILT-IN



As quick as a "click"





PERFORMANCE CURVES

2022-10-10

Page 3 / 4

DAB PUMPS S.p.A.
Via Marco Polo, 14 - 35035 Mestrino (PD), Italy
Tel. +39 049 5125000 - Fax +39 049 5125950
www.dabpumps.com

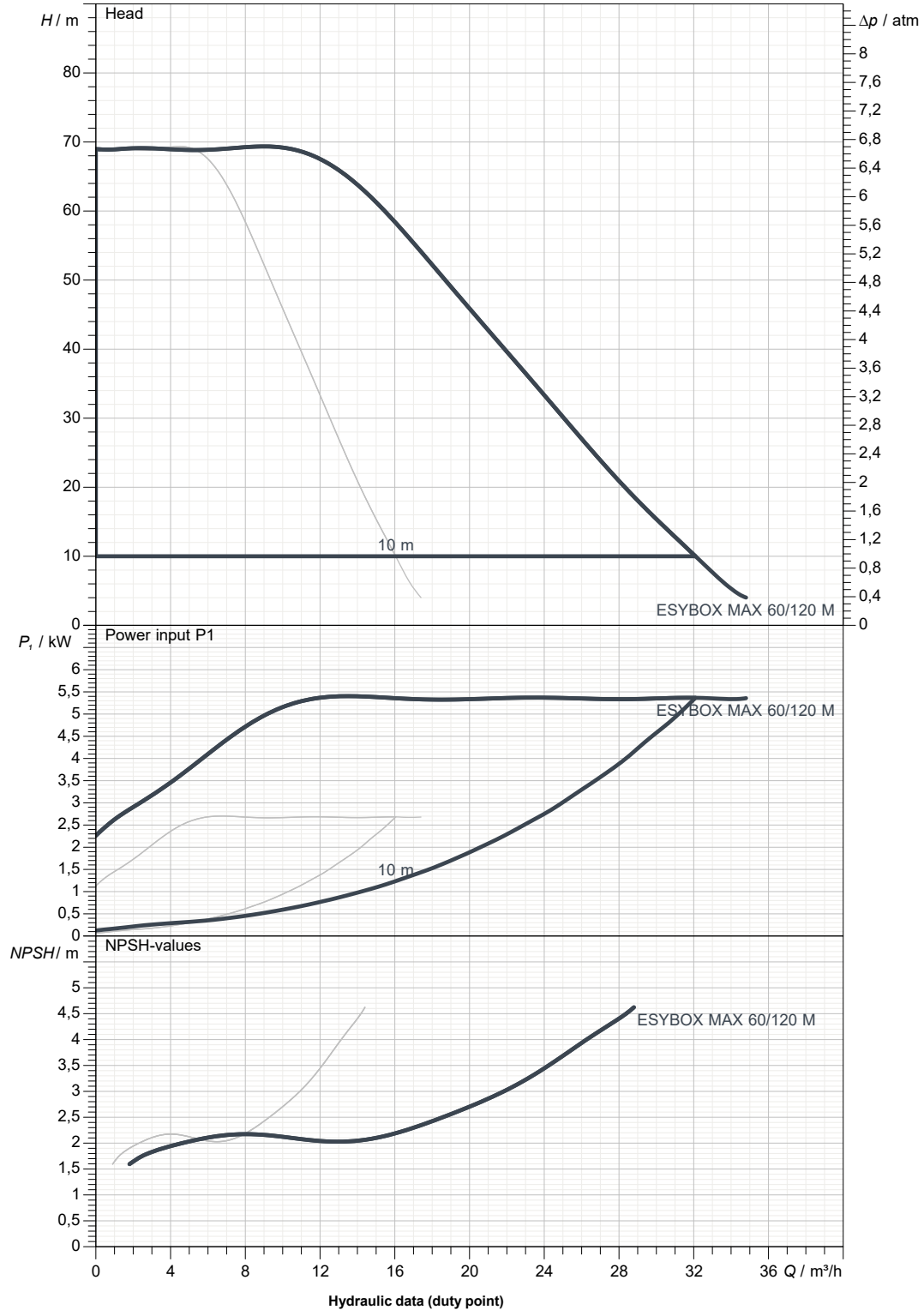
Receiver

From

Society
Reference
Address
Phone
Fax
E-mail

2 ESYBOX MAX 60/120 M

Curve tolerance according to ISO 9906



Suction side : 2" G 11,84 atm	Discharge side : 2" G 11,84 atm	Flow :	Head :	Rated speed : 5.240 1/min
MAIN_PROJECT_TITLE	BUSINESS_PROCESS_ID	OWNER_	ISSUE_DATE 2022-10-10	



DIMENSIONAL DRAWING

DAB PUMPS S.p.A.
Via Marco Polo, 14 - 35035 Mestrino (PD), Italy
Tel. +39 049 5125000 - Fax +39 049 5125950
www.dabpumps.com

2022-10-10

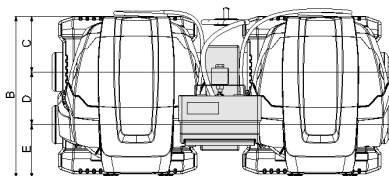
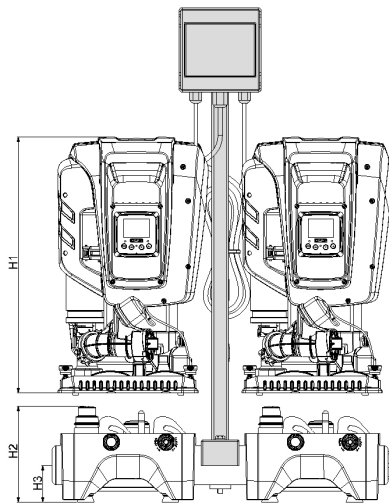
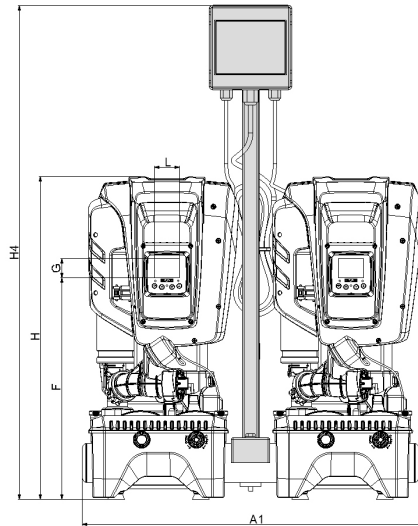
Page 4 / 4

Receiver

From

Society
Reference
Address
Phone
Fax
E-mail

2 ESYBOX MAX 60/120 M



*Without the pillar kit and panel, do not consider the H4

Dimensions in mm					Pump connection
1	A1	811	H3	87	Suction 2" G 12 bar (1200 KPa)
2	B	384	H4	1.172	
3	C	131,8	L	59,5	
4	D	124,5			
5	DNA	2"			Discharge 2" G 12 bar (1200 KPa)
6	DNM	2"			
7	E	127,7			
8	F	526			
9	G	45			
10	H	766			
11	H1	613			
12	H2	228			

MAIN_PROJECT_TITLE	BUSINESS_PROCESS_ID	OWNER	ISSUE_DATE 2022-10-10
--------------------	---------------------	-------	--------------------------